

# TM-U590

ESC/POS®

## Slip Printer

High performance and multifunction. The TM-U590 is the ideal slip printer for versatile slip / check / invoice applications.



Loaded with functions that enable printing on a variety of slips, the TM-U590 is an ideal printer for hotel, bank and restaurant applications.

### AT A GLANCE

- Bi-directional impact printing
- Extra long slip table for easy operation
- MICR option for reading cheques
- Customer display connectivity

## Original A4 Slip Capability for Versatile Applications

Prints slips up to 88 columns (using 7 x 9 fonts/half dots). Because the TM-U590 supports a wide range of sales slip, check and invoice applications thanks to the ability to handle an original and up to four copies, it is especially suited to hotel, bank and restaurant applications.

## User Friendly

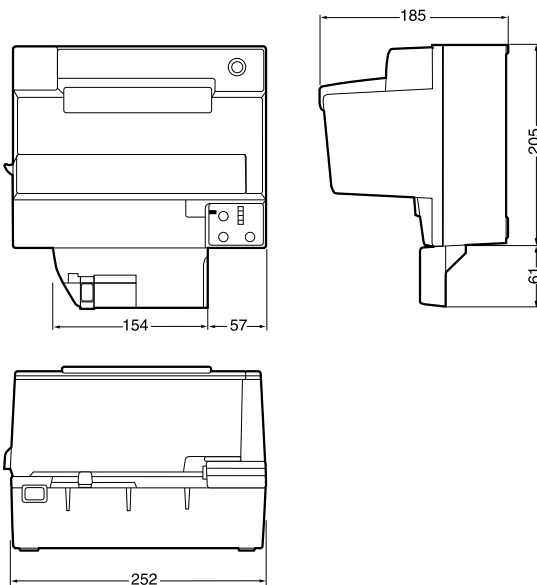
The TM-U590 is designed with paper handling in mind. Not only is paper easy to load, but paper jams can be removed smoothly and easily. In addition, with the standard extension table, even large slips load and feed smoothly.

## Fast Printing, 311 CPS

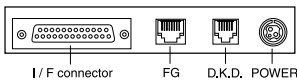
The TM-U590 offers a printing speed of 311 characters per second by using bi-directional, logic seeking printing. Quick issuance is the important customer service.

## APPEARANCE

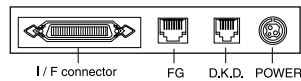
Units: mm



### CONNECTOR PANEL SERIAL I/F



### PARALLEL I/F



## OPTION

### POWER SUPPLY



#### PS-170

INPUT: 100-240V AC  
 OUTPUT: 24 VCD, 2.0A  
 Plug: 3P Power Jack  
 Safety standards: UL, CSA, TÜV

EPSON AUSTRALIA PTY LTD.

70 Gibbes Street, Chatswood NSW 2067 Tel: (02) 9903 9000 Fax: (02) 9903 9177 www.epson.com.au

AVAILABLE FROM:

## Superb Reliability

EPSON's world-renowned quality and reliability are reflected in every component and mechanism of the TM-U590, ensuring products unsurpassed in performance and dependability.

## ESC/POS®

The TM-U590 conforms to the world standard EPSON ESC/POS command system. Moreover, high expandability and easy upgradability ensure efficient use of existing software assets

## NT and IT Series Connectivity

The TM-U590 can be used with EPSON's Intelligent Modules, saving space and offering a broad range of application choices for your business.



ESC/POS is a registered trademark of SEIKO EPSON CORPORATION.

## SPECIFICATIONS

<b>Print method</b>	9-pin, serial impact dot matrix
<b>Print Font</b>	7 x 9 / 9 x 9
Column capacity	88 / 66 columns
<b>Character size</b>	1.3(W) x 3.1(H)mm / 1.6(W) x 3.1(H)mm
<b>Character set</b>	95 Alphanumeric characters, 32 International characters
	128 x 8 Graphic characters
Characters Per Inch	16.7 CPI / 12.5 CPI
<b>Print Speed</b>	311 CPS / 233 CPS
<b>Data Buffer</b>	4K bytes or 69 bytes
<b>Interface</b>	RS-232C / Bi-directional parallel / RS-485 (option)
<b>Paper Dimensions</b>	70(W) x 70 (L) to 210(W) x 297(L)mm
<b>Paper Thickness</b>	0.09 to 0.36mm
<b>Copy Capability</b>	One original and four copies
<b>Inked Ribbon</b>	ERC-31 (purple, black)
<b>Ribbon Life</b>	7 x 10 <sup>6</sup> characters (purple), 4.5 x 10 <sup>6</sup> characters (black)
<b>Power</b>	24 VCD ± 10%
<b>Current Consumption</b>	Approx. 1.9A (at 24 VCD)
<b>D.K.D. Function</b>	2 drivers
<b>Reliability</b>	MTBF 18 x 10 <sup>4</sup> hours
	MCBF 29 x 10 <sup>6</sup> lines
<b>Overall Dimensions</b>	252(W) x 266(D) x 185(H)mm
<b>Weight</b>	Approx. 5kg
<b>EMI Standards</b>	VCCI #1, FCC class A, CE marking
<b>Safety Standards</b>	UL, CSA, TÜV, CCIB

Specifications are subject to change without notice.