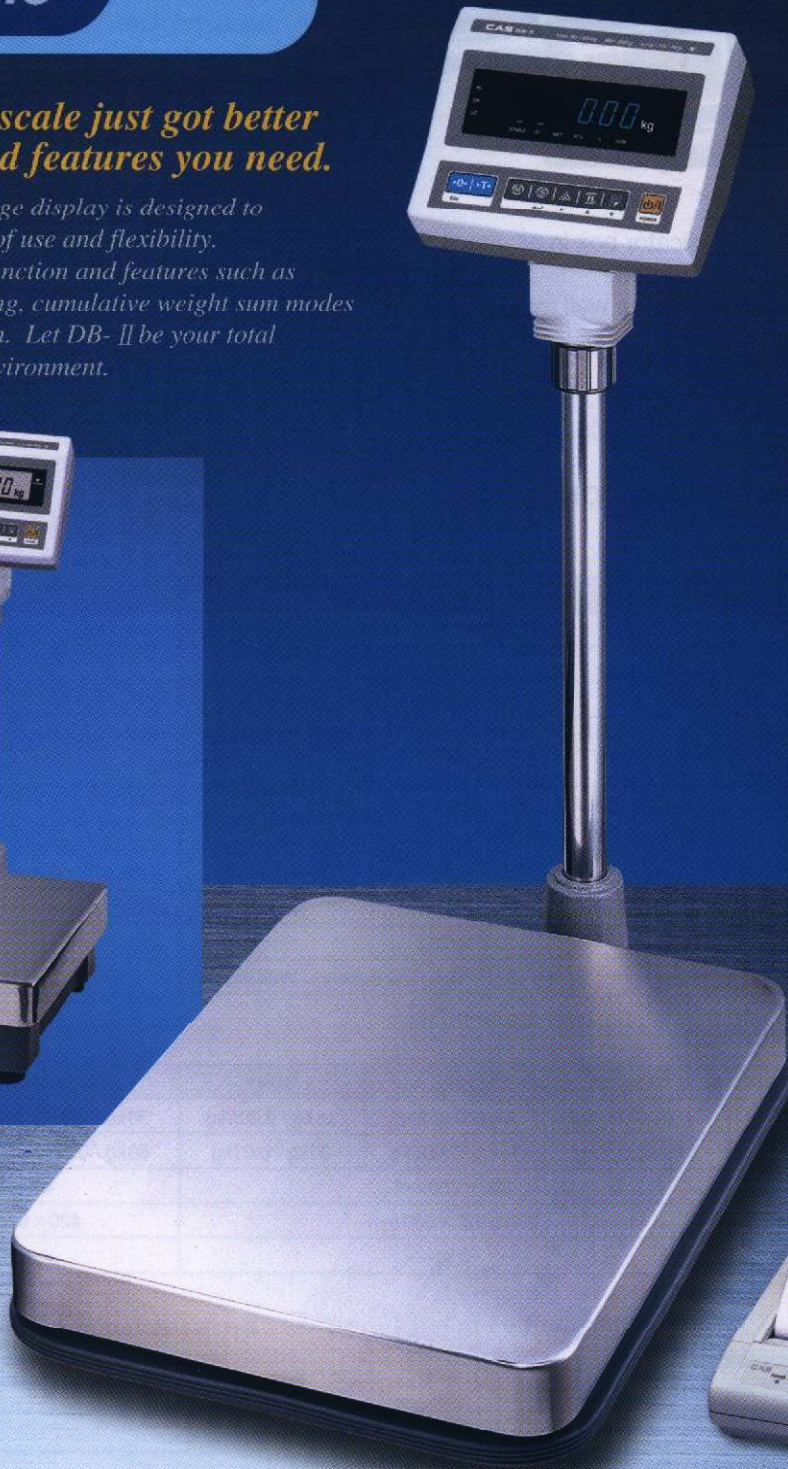
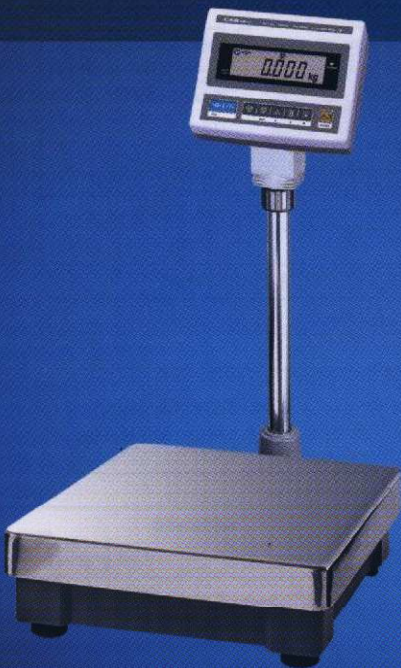


# DB series

## Bench Scale

*The most versatile scale just got better with more advanced features you need.*

New DB- II with pivoting large display is designed to provide the users with ease of use and flexibility. DB- II has more advanced function and features such as percentage weighing, counting, cumulative weight sum modes and the weighing comparison. Let DB- II be your total solution in your weighing environment.



**CAS**  
S • C • A • L • E

### VFD & LCD display

DB-II is equipped with large 20mm display. User will have no trouble seeing the displayed information at a distance. VFD or LCD display is available.



### Pivot / Tilt indicator

Now you can move the indicator box in all directions to have the best viewable angle. Indicator can be detached for the wall mount.

### Weighing function

- General Weighing Mode ● Tare / Hold
- Percentage Weighing Mode ● Counting Mode
- Cumulative Weight Sum Mode
- Weighing Comparison (HI/LOW/OK)

### Specifications

MODEL	DB-II	DB-II F
Capacity	6, 15, 30, 60, 150, 300kg	60, 150, 300kg
Display	LCD	VFD
Function Designator	STABLE, ZERO, HOLD, NET, HI/OK/LO, %, PCS, SUM, Low Battery	
Resolution	Dual Interval 1/3,000~1/7,500	
Interface	RS232	
Power	<ul style="list-style-type: none"> <li>■ DC 9V Adaptor / Dry battery</li> <li>■ Rechargeable (option)</li> <li>1) Ni-CD Battery : DC 12V850mA Adaptor</li> <li>2) PB Battery : DC24V 1A Adaptor</li> </ul>	AC 220V, 50/60 Hz or AC 110V, 50/60 Hz
Operating Temperature	-10 °C ~ +40 °C	
OIML	Pending	Approved
Option	· Back light · Printer (DEP-50) · R/C Battery · Wall bracket	· Printer (DEP-50) · Wall bracket

### Capacity & Dimension

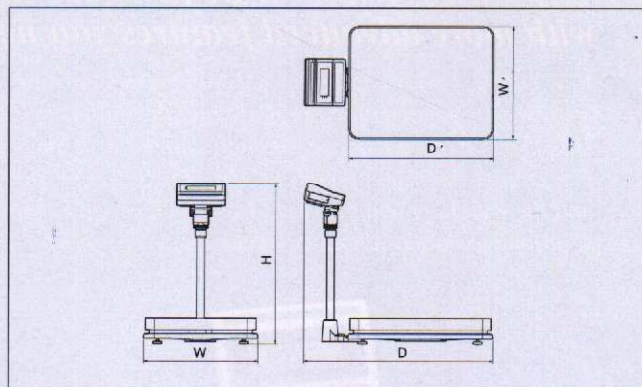
Capacity	6kg	15kg	30kg	60kg	150kg	300kg
Resolution	3kg / 0.001kg	6kg / 0.002kg	15kg / 0.005kg	30kg / 0.01kg	60kg / 0.02kg	150kg / 0.05kg
	6kg / 0.002kg	15kg / 0.005kg	30kg / 0.01kg	60kg / 0.02kg	150kg / 0.05kg	300kg / 0.1kg
Platter size (W' x D')	280 x 280 mm			420 x 510 mm		500 x 645 mm
Product size (W x D x H)	280 x 370 x 560 mm			420 x 635 x 765 mm		500 x 725 x 765 mm
Product weight	5kg			14kg		24kg

### Printing

Print every weighing modes with real time stamp using CAS DEP-50. DB-II is also compatible with many serial printers.



### Dimensions



# CAS

S · C · A · L · E

CAS BLDG., # 440-1, SUNGNAE-DONG,  
GANGDONG-GU, SEOUL, KOREA  
TEL : 82-2-2225-3500  
FAX : 82-2-475-4668  
<http://www.cas.co.kr>

Specifications are subject to change for improvement without prior notice.