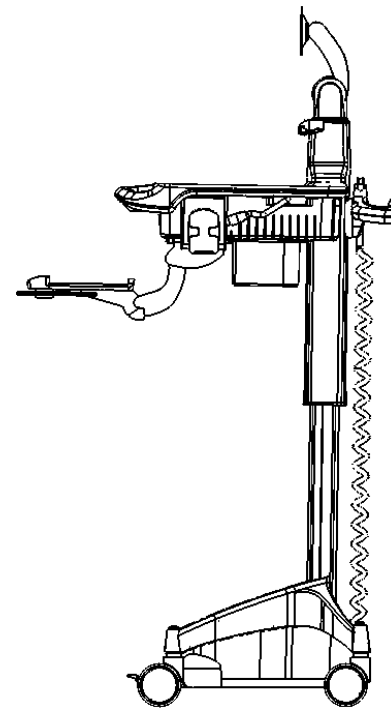
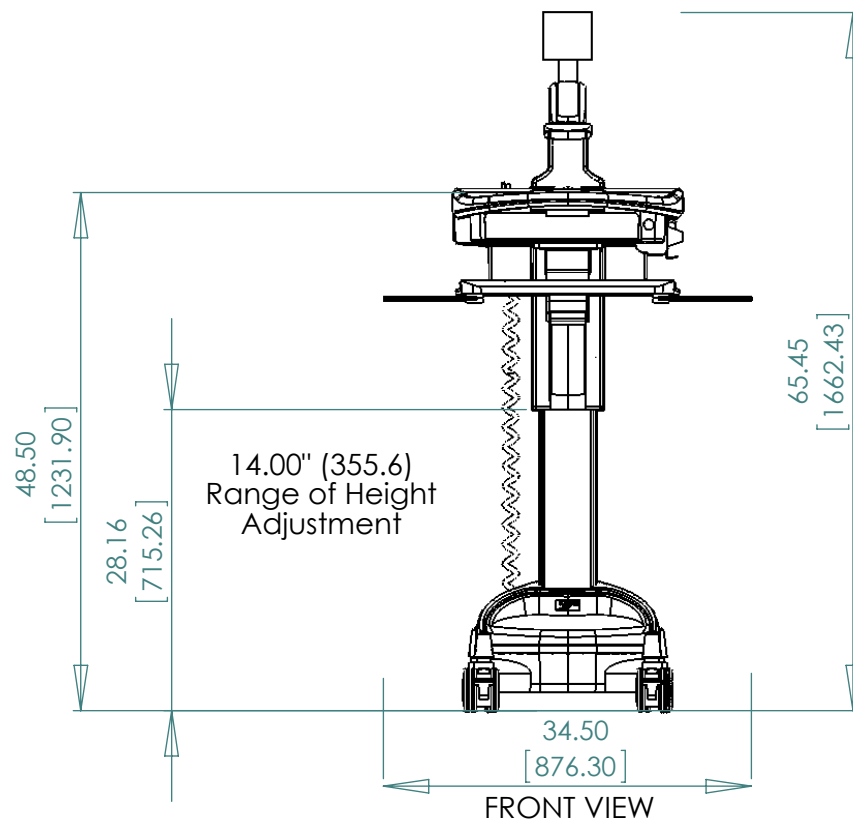
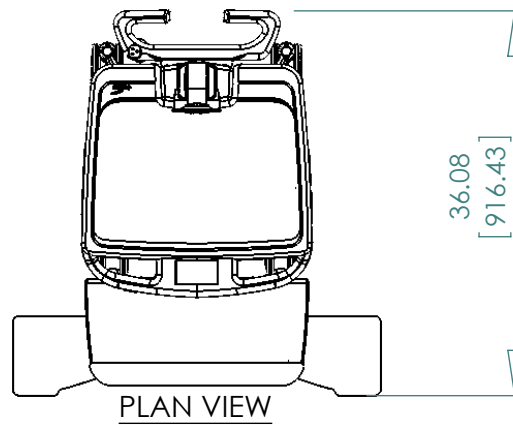


Signed Drawing Is Required To Process Order

Customer Approval

Date

AccessPoint™
Mobile Computing



METRO

InterMetro Industries Corp.
651 N. Washington St.
Wilkes-Barre, PA 18705

PHONE: 800-992-1776

FAX: 800-638-9263

PREPARED BY: Gavin Blakelock

DATE: 7/23/2014

DESIGN #: C-132692-2

SCALE (ortho): 1:20

CUSTOMER NAME: A Stockline AP LCD Powered

PROJECT NAME: General Stock

DESCRIPTION:

CUSTOMER ACCOUNT #: