

# TouchPoint T7™

MOBILE TECHNOLOGY CART

Humanscale's TouchPoint line of mobile technology carts addresses all of the technology challenges present in today's healthcare environment. TouchPoint carts provide caregivers with a simple, comfortable and effortless way to bridge the gap between patient care and technology. Simply stated, TouchPoint carts enhance caregiver performance.

**Introducing the T7, a groundbreaking addition to the TouchPoint line.**



# Overview

---

In a high-tech industry in which patients always come first, today's caregivers require advanced solutions to facilitate their interactions with patients and to make the most of valuable technology investments. Specifically, caregivers need point-of-care solutions that offer fluid maneuverability and near effortless height adjustability, which will ensure that they focus on their patients, not their work tools.

The TouchPoint series of mobile technology carts—specifically the T7—not only meets, but exceeds, the above requirements. In fact, the T7 is the most technologically advanced mobile technology cart on the market. Period.



# Helping Caregivers Give Care

---



## Accommodates a Wide Range of Users

Using revolutionary Auto Fit technology, the T7 instantly adjusts to the height that each user enters into the digital command center. This encourages ergonomic posture for the vast majority of users, whether they are seated or standing.

## Intuitive Ergonomic Design

In addition to its low center of gravity, the T7 offers convenient one-hand operation, if necessary, and cart controls that are within a comfortable, ergonomic range.



## Additional Storage Space and Work Surface Options

Additional clip-on containers can be implemented to conveniently hold sharps, glove boxes and other items, and more drawer layers can be added to the cart to further increase its storage capacity. In addition, the T7 includes an optional clip-on mouse platform with a cable management clip.



## Ultimate Mobility and Ease of Use

With the T7's Power Track™ steering, caregivers can effectively navigate tight spaces, corridors and turns with one-hand operation for care on the go. Power Track is conveniently actuated with an effortless squeeze of button on the underside of the cart handle.



# Calming Aesthetics for Any Clinical Setting

---

Brilliantly simple in both form and function, the T7 has a completely encased wire management system, which mitigates both clutter and infection control concerns. In any setting, the T7's beautifully streamlined design makes cleaning easy and promotes a healing environment.

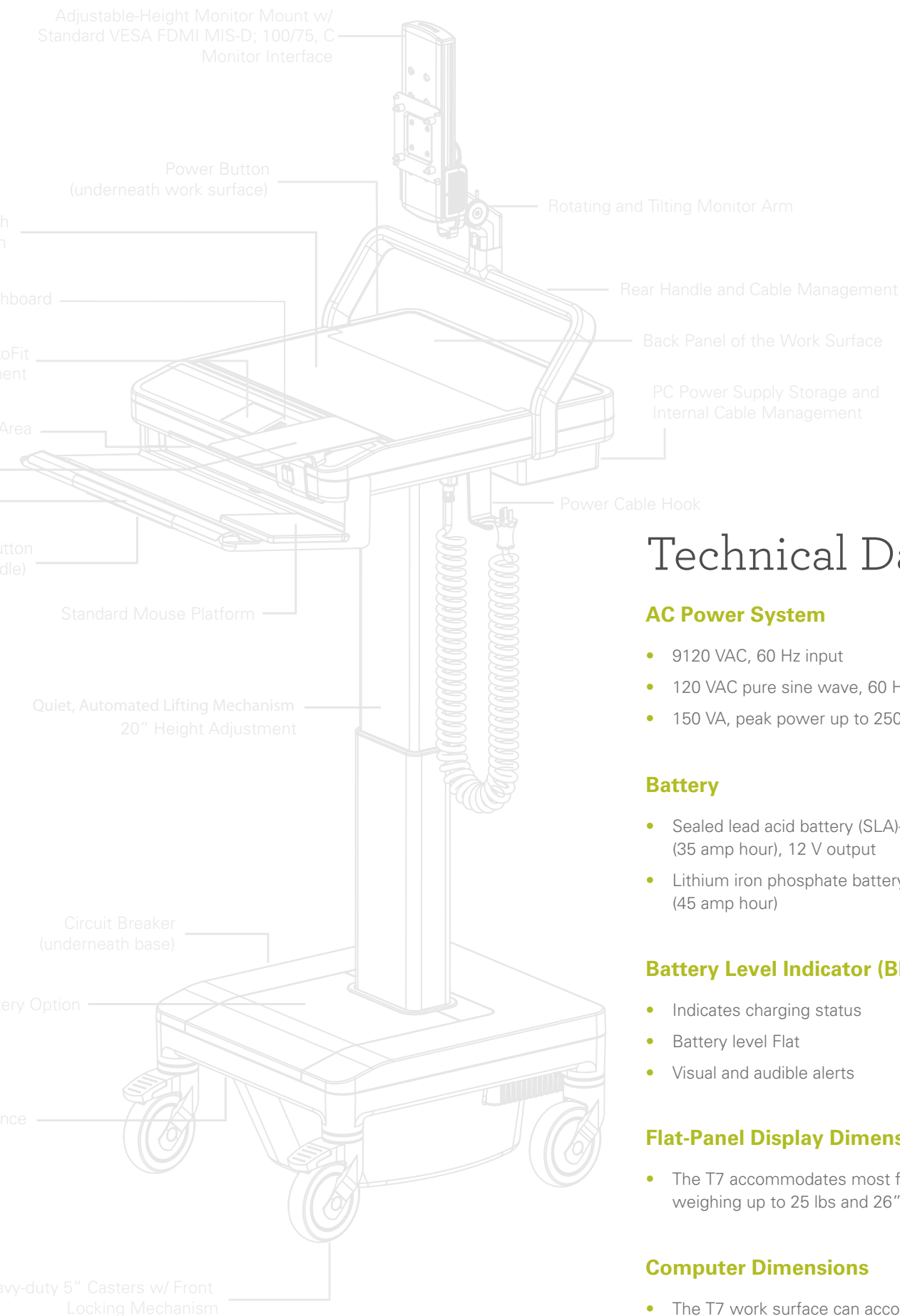


# Features & Specifications

---

- Simple, streamlined design offers large, clear work surface and promotes a healing environment
- Revolutionary Auto Fit technology instantly adjusts to user's entered height to accommodate the vast majority of users
- Power Track steering uses an additional wheel to provide exceptional mobility
- SLA and lithium iron phosphate battery options
- Intuitive digital command center ergonomically situates all controls within user's shoulder width
- Two different tilting monitor arm options accommodate vast range of individuals, including those with bifocals
- One-hand operation and low center of gravity for easy ergonomic handling
- Negative-tilt keyboard slides back, allowing palm rest to become a handle
- Toe clearance for sitting or standing
- Monitor arm enables provides 15 degrees of tilt and 90 degrees of rotation to facilitate patient care
- Screen can be moved by user to desired position
- Gantry serves as a back handle and contains cables, while raising the monitor above the work surface
- Options for fixed or height-adjustable monitors
- Occupancy sensor detects both human presence and ambient lighting to illuminate keyboard area
- Sophisticated and customizable cable management system offers easier cleaning, reduces infection control concerns and prevents the ingress of liquids
- High-performance capabilities for PC and laptop applications
- Additional storage available with drawer layers and clip-on container options
- Optional clip-on mouse platform with a cable management clip
- PC and laptop accommodation





## Technical Data

### AC Power System

- 9120 VAC, 60 Hz input
- 120 VAC pure sine wave, 60 Hz, 150 W output
- 150 VA, peak power up to 250 VA

### Battery

- Sealed lead acid battery (SLA)—480 W (35 amp hour), 12 V output
- Lithium iron phosphate battery—12.8 V 655 WHr (45 amp hour)

### Battery Level Indicator (BLI)

- Indicates charging status
- Battery level Flat
- Visual and audible alerts

### Flat-Panel Display Dimensions

- The T7 accommodates most flat panel displays weighing up to 25 lbs and 26" wide.

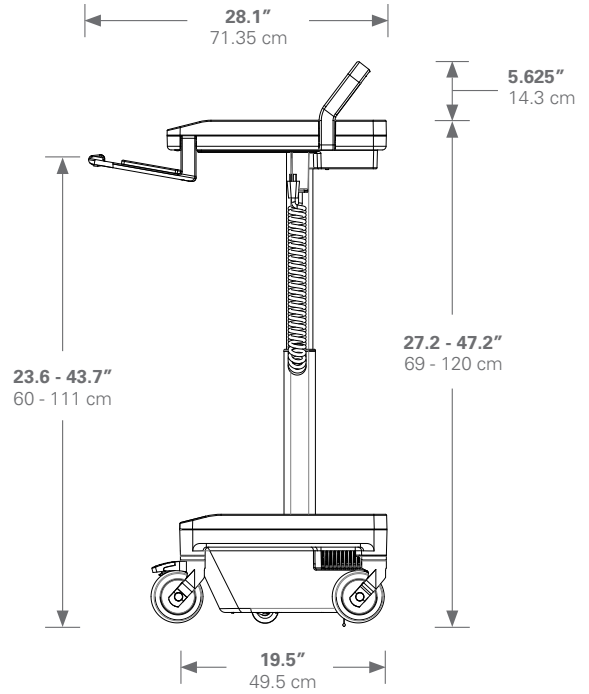
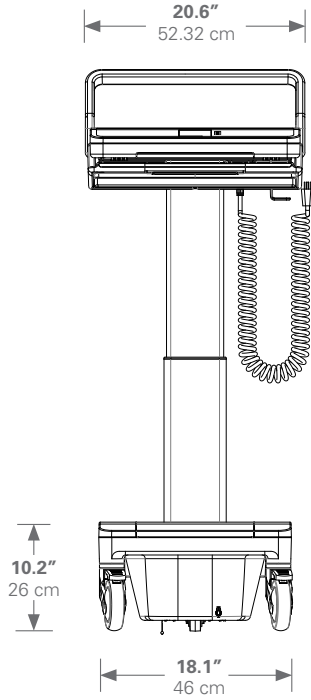
### Computer Dimensions

- The T7 work surface can accommodate a computer up to 17.35" L by 12.3" W by 2.25" H and has a 16.8" wide opening for a laptop screen. Larger computers (up to 3.4" W X 16.5" D X 11.8" H) are managed in the T7 CPU Holder.

# Dimensions and Range of Adjustment

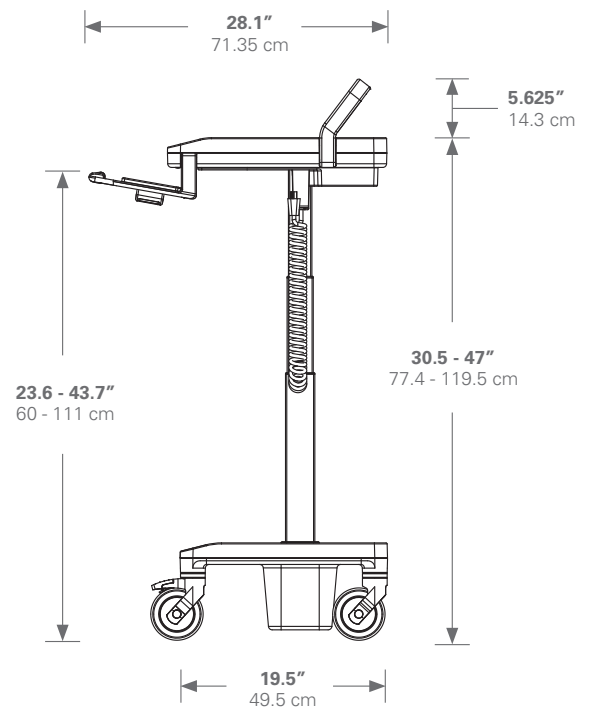
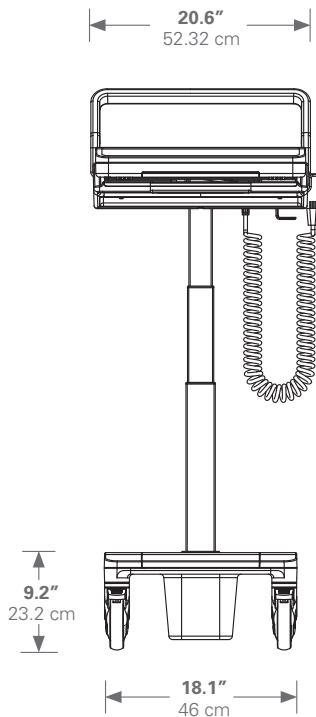
## T7 POWERED

Weight | **132 lbs.**  
59.87 kg.



## T7 NON-POWERED

Weight | **66 lbs.**  
29.93 kg.



# T7 and the Environment

---

## A Sustainable Solution

Designed with minimal parts and with few manufacturing processes, the T7 contains eco-friendly aluminum and steel.



Creating a more comfortable place to work

[www.humanscalehealthcare.com](http://www.humanscalehealthcare.com)

800.400.0625