



Visidec freestanding | dual vertical VFS-DV
 Fits most displays from 12" to 24"



Mounting hole pattern:
 from 75mm to 75mm wide
 from 100mm to 100mm high



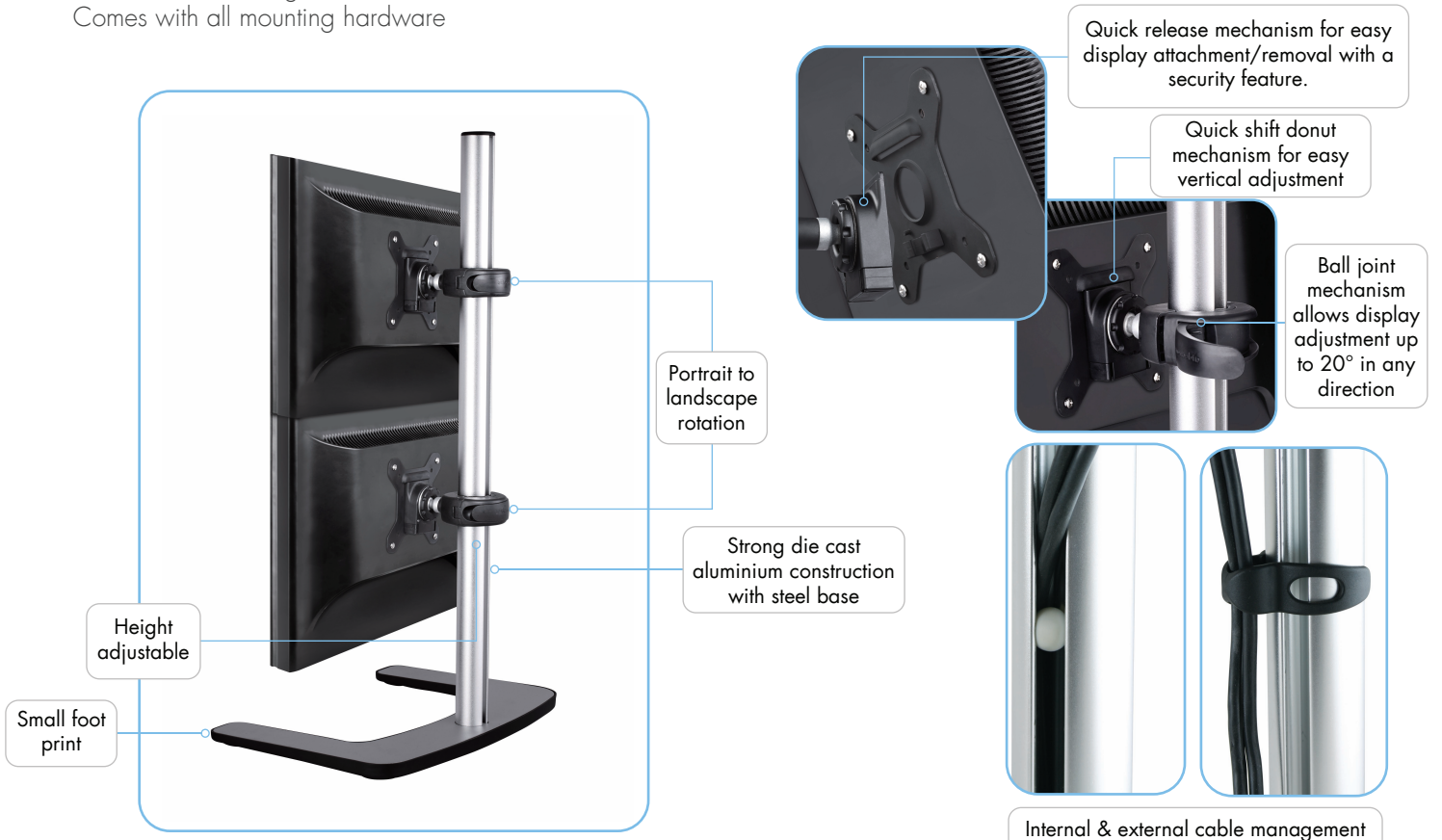
Maximum weight carrying capacity:
 12kg (26.5lbs)

The Visidec VFS-DV dual vertical freestanding desk mount is an ideal accessory for any dual monitor application. Being able to mount two screens one on top of the other with such versatility of movement creates a superior workspace for optimum productivity. Both monitors can be independently and infinitely adjusted up to 20° in any direction, and provides landscape to portrait rotation. The unique QuickShift lever provides independent height adjustment without the need for a single tool. An elegant design with a footprint so small, at just 422mm (16.25") x 305mm (12"), leaving your desk clear of clutter with the flexibility to be located anywhere on the desk.



Product key features:

- ✕ Flexible solution for dual vertical display requirements
- ✕ Made from strong die cast aluminum with a steel base
- ✕ Ball joint mechanism allows infinite adjustment of displays up to 20° in any direction;
- ✕ Portrait to landscape rotation
- ✕ Pole height: 764mm (29")
- ✕ Quick release mechanism for fast display attachment/removal with a security feature
- ✕ QuickShift lever mechanism for quick and tool-less display installation and easy vertical adjustment
- ✕ Small footprint of 422mm (16.25") wide by 305mm (12") deep
- ✕ Internal cable management
- ✕ Comes with all mounting hardware



Atdec North America www.atdec.com
 Atdec Global www.atdec.com.au

Product information, single unit

Load capacity	Material	Color
12kg (26.5lbs) per display	Aluminum/Steel	Silver

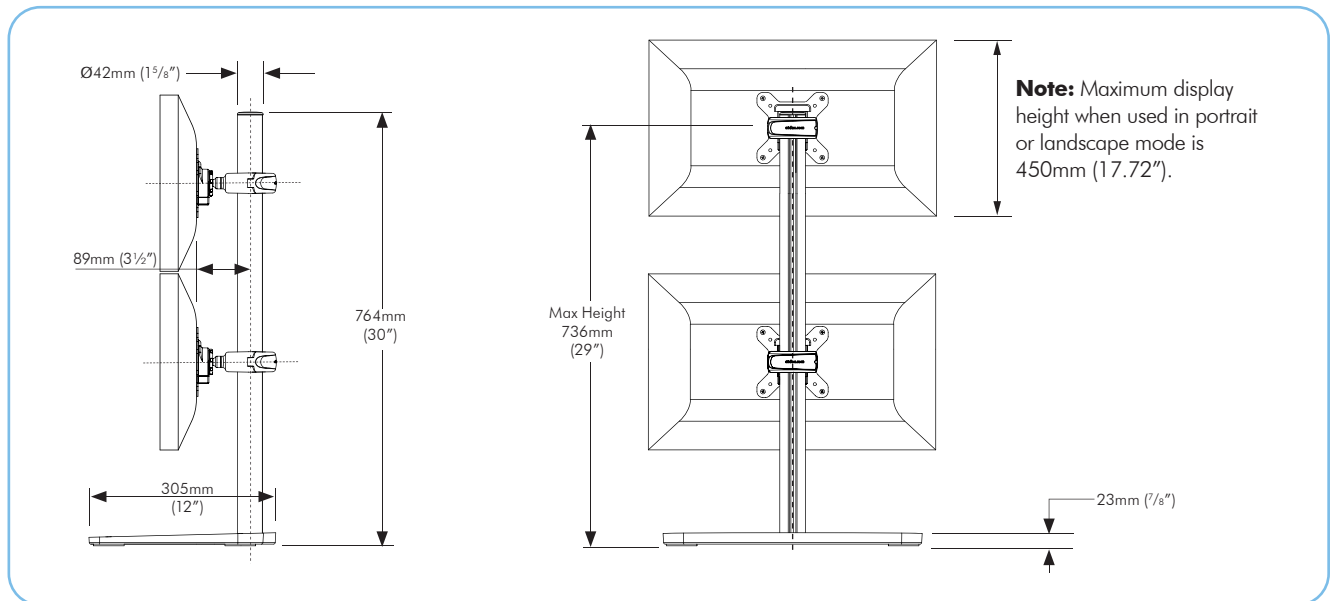
Package information, single unit

Size	Ship weight	UPC code	Contents
81cm x 33cm x 10cm (32" x 13.25" x 3.75")	5.4kg (12.4lbs)	881493005112	All hardware required for installation supplied

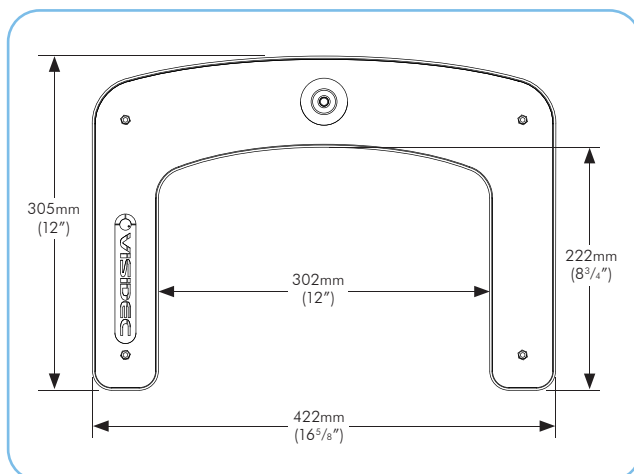
Package information, master pack

Size	Ship weight	UPC	Units per master pack
82cm x 34cm x 21cm (32.5" x 14" x 8.75")	12kg (26.6lbs)	881493005167	2

Technical drawings



Base Dimensions



VESA Display Mounting Options

