



Full Motion | Large articulated arm TH-3270-UFM

Suits mounting hole patterns 150-805mm (6-32") W x140-500mm (5.5-19.5") H

Flexible wall mount

Suits displays up to 65kgs (143lbs)

Articulated arm design

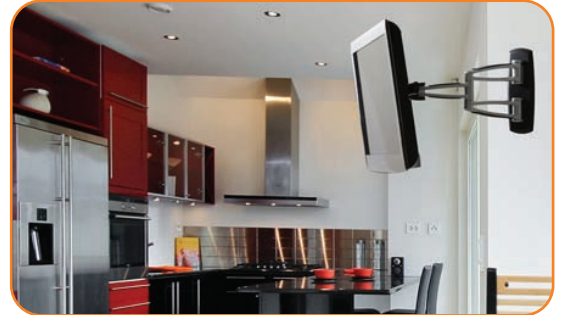
User adjustable tilt with spring loading

Detachable mounting head

User adjustable pan

Selectable installation orientation

The Telehook Large Articulated Arm is a cutting edge wall mount which combines a high weight capacity with superior operational flexibility and easy position adjustment. The Full Motion design with Atdec Smooth Glide™ technology allows even the heaviest display to be easily extended from the wall and rotated to the required viewing position. The display bracket features Universal mounting hole support for compatibility with the widest possible range of monitors and television screens. The removable bracket enables easy installation and maintenance with selectable horizontal or portrait mounting. Once installed, your guaranteed a quality professional finish with fully integrated cable management, a dress cover to hide the wall connection and facility for fine levelling adjustment of the screen.



### Product key features:

- Suits a wide range of installation and usage situations
- Allows display installation in either a landscape or portrait orientation
- Comes pre-assembled with installation templates to reduce set-up time
- Articulated design enables a centralised seated position with wall extension from 155mm (6.1") to 635mm (25").
- Allows 180° rotation at the wall, 360° at the articulation and 180° at the display head
- Detachable mounting head enables easy installation and maintenance with a security screw (provided) to deter unauthorized removal.
- Allows tilt adjustment from -10° to +20° with spring loading for easy user operation
- Allows +/-5° horizontal adjustment for screen levelling
- Integrated cable management
- Comes with mounting hardware to enable masonry or timber stud wall installation
- Durable construction with 10 year warranty



Atdec Global [www.atdec.com.au](http://www.atdec.com.au)  
Atdec North America [www.atdec.com](http://www.atdec.com)

## Product information, single unit

Model code	Load capacity	Material	Color
TH-3270-UFM	65kg (143lbs)	Die cast aluminium arm, steel wall plate and display bracket, plastic trim	Matt silver with black trim

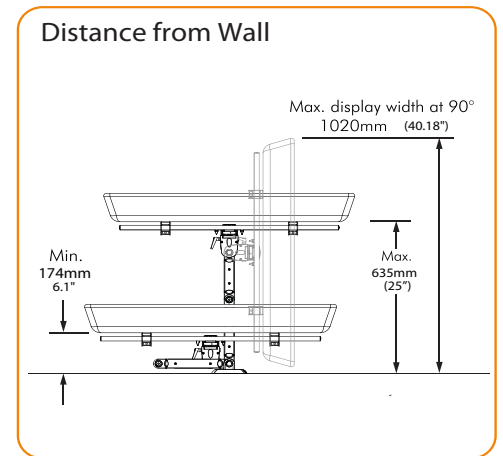
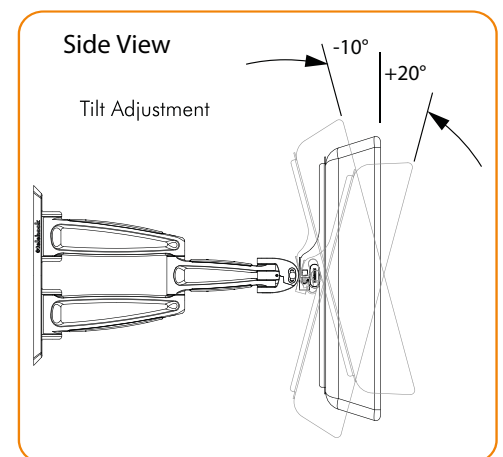
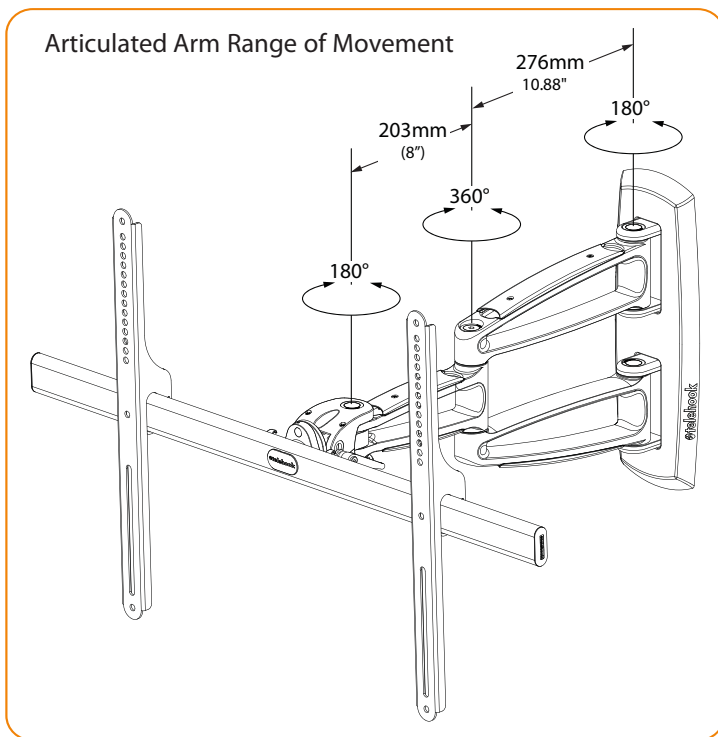
## Package information, single unit

Size	Ship weight	UPC code	Contents
88cm x 43.2cm x 16cm (34.5" x 16.75" x 6.5")	11.92kg (26.6lbs)	881493004658	Mount (pre-assembled) with wall cover, security screw, install guide, install templates, display and wall attachment hardware

## Package information, master pack

Size	Ship weight	UPC	Units per master pack
90cm x 45cm x 36cm (35.5" x 17.75" x 13.75")	25.4kg (56.6lbs)	881493004726	2

## Technical drawings



## Other models in this range

TH-1032-VFM	Low weight Full Motion swing arm
TH-1040-VFM	Low weight Full Motion articulated arm
TH-2050-VFM	Medium weight Full Motion articulated arm
TH-3060-SAU	High weight swing arm (silver)

Atdec mounts are designed, developed and tested in Australia. We manufacture an extensive range of display and projector mountings for a variety of user types and situations. While all efforts have been made to ensure the information in this brochure was correct as of the date of printing, we reserve the right to change specifications without notice. Please refer to the web site for our full range along with the latest details on specifications, compatibility and dealer location. Atdec and Telehook are registered trademarks with all rights reserved.  
Copyright July 2011 V2.0



Atdec Global [www.atdec.com.au](http://www.atdec.com.au)  
Atdec North America [www.atdec.com](http://www.atdec.com)