

# Element P135BT

Wireless Bluetooth 2D Scanner



The **Element P135BT** Scanner is a versatile handheld wireless image scanner that excels at reading both 1D and 2D barcodes, whether from printed materials or mobile device screens.

Equipped with a large-angle image sensor and accurate red sights, it ensures high-speed, all-around image reading with precision. This scanner supports direct transmission of multi-language barcode information and can easily connect to docks, iOS and Android devices, tablets, and more.

With two operation modes—manual and automatic scanning—and an automatic wake-up feature, the P135BT offers exceptional convenience and efficiency. Designed for durability, it can withstand drops from up to 1.2 meters, ensuring reliability in demanding environments.

The P135BT delivers superior barcode recognition, even on challenging surfaces and low-quality barcodes, making it an excellent value for businesses seeking both performance and cost-effectiveness.

- > Multi-language barcode information direct transmission
- > Large Angle image sensor
- > Accurate red sights
- > High-speed, all-round one-dimensional, two-dimensional image reading
- > Compatible with dock, iOS, Android phones, tablets, and more

## FEATURES



1D/2D Scanner



High Speed Scan



Big Vision



Fast Decoding



Screen Scan



Customisable

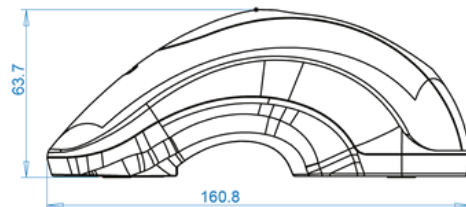
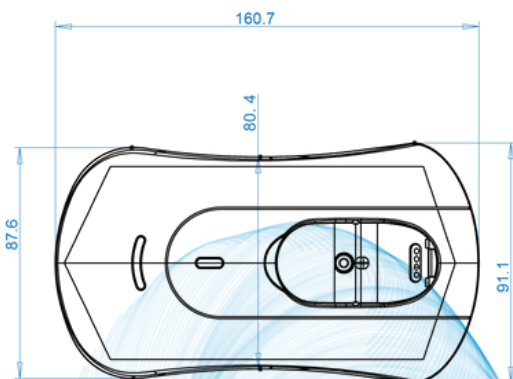
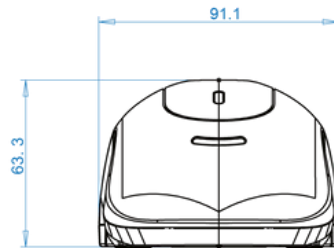
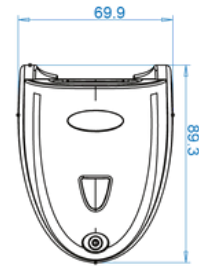
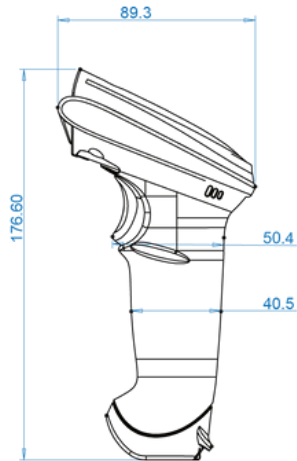
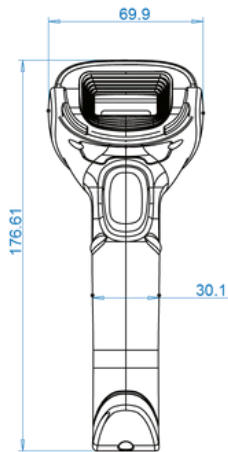


Motion Tolerance



Drop Distance

## DIMENSIONS



# TECHNICAL SPECIFICATIONS - P135BT

Item		Parameter
Physical Characteristics	Dimensions	177mm x 89mm x 70mm
	Weight	190g
	Voltage Current	5 VDC/ 350mA (opearting)
Performance Characteristics	Image (Pixels)	640 p(H) x 480 p(V)
	Light Source	Aimer: 617nm LED; illumination: 3500K LED
	Field of View	40° (H) x 32° (V)
	Scan Angle	Pitch ±65° Yaw 360° Roll ±60°
	Symbol Contrast	≥ 25%
	Interface	USB, RS232
	Motion Tolerance	≥ 2m/s
	Operating Distance	90m (open space)
	Endurance Time	10H
	Charging Time	4.5H
	Battery Capacity	4.2V/ 2000mAh
	Symbologies 1D	UPC, EAN, Code128, Code 39, Code 93, Code11, Matrix 2 of 5, Interleaved 2 of 5, Codabar, MSI Plessey, GS1 DataBar, China Postal, Korean Postal, etc.
Symbologies 2D	PDF417, MicroPDF417, Data Matrix, Maxicode, QR Code, MicroQR, Aztec, Hanxin, etc.	
User Environment	Operating Temperature	32°F ~ 122°F / 0°C ~ 50°C
	Storage Temperature	-40°F ~ 158°F / -40°C ~ 70°C
	Drop Resistance	Withstand drop 1.2m on concrete
	Humidity	0% ~ 95% relative humidity, non-condensing
	Ambient Light Immunity	100,000 Lux.
Typical Depth of Field	Code 39 (3.13 mil)	50mm-90mm
	Code 39 (5.13 mil)	30mm-160mm
	PDF417 (6.88 mil)	30mm-170mm
	DM (10 mil)	30mm-180mm
	UPC-A (13.3 mil)	30mm-330mm
	QR (20 mil)	20mm-340mm
	Code 39 (20 mil)	30mm-530mm
Warranty		24 Months

\*Product specifications and data are subject to change without notice (E&OE)